

Euro Profile Mortice Lock

X906PZ

Application:

- For doors hinged on the left or right and requiring key and lever handle operation
- 55mm backset

Operation:

- European style casing with 72mm centres which accommodates most euro profile cylinders
- Key and handle operation from both sides of the door
- Latchbolt operated by key
- Double throw - 22mm deadbolt throw when key is turned twice
- Easily reversible latch bolt
- Pierced to accept bolt through furniture and security rose



Specification:

Reference	X906PZ
Case Size	86mm
Backset	55mm
Case	Galvanised Zinc
Outer Forend	See finishes opposite
Striking Plate	Finished to match outer forend
Deadbolt	Steel electro plated to SS finish
Latch Bolt	Stainless steel
Follower	Stainless steel, 8mm
Cylinder Type	Euro profile (not supplied)

Features:

- Modular case range
- Easily reversible stainless steel latch bolt
- Available with radiused forend and strike upon request

Finishes:

- SS - Stainless Steel
- PS - Polished Stainless Steel
- PB - Polished Brass finish
- AB - Antique Brass
- SB - Satin Brass
- ABZ - Antique Bronze

Standards:



- Tested to BS EN 12209 : 2003

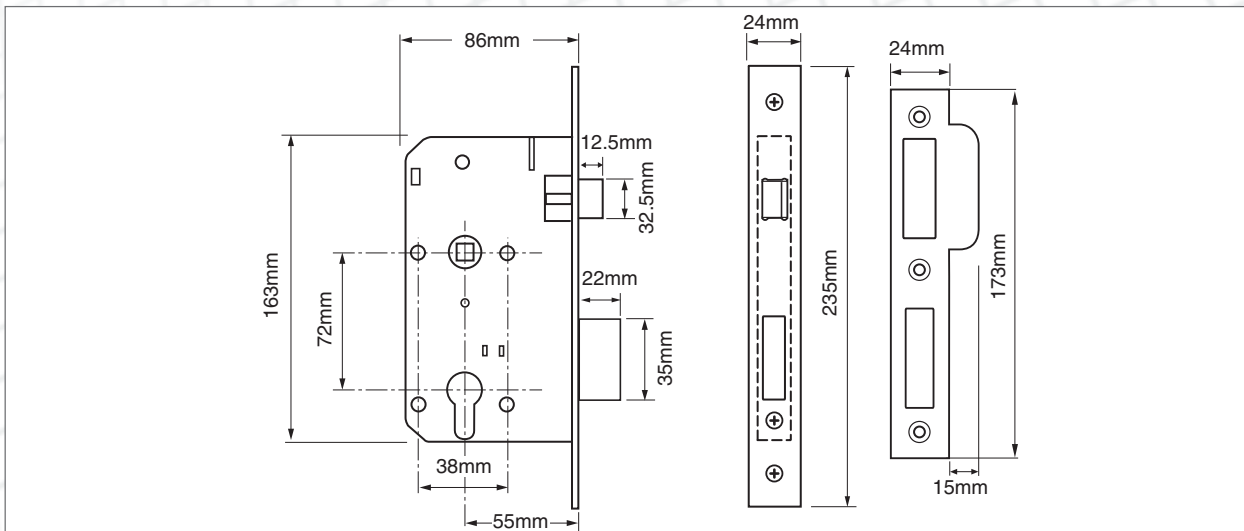
3 X 5 1 0 F 3 B C 2 0



- BS EN 1634 Part 1 : 2000 4 hour fire resistance Warrington Fire Test Certificate No. 145690

Ordering Code Example:

X906PZ SS
(Product Code - Finish)



Mortice Latch

X906PL

Application:

- For doors hinged on the left or right requiring lever handle operation
- 55mm backset

Operation:

- Handle operation from both sides of the door
- Easily reversible latchbolt
- Pierced to accept security rose fixings

Specification:

Reference	X906PL
Case Size	86mm
Backset	55mm
Case	Galvanised Zinc
Outer Forend	See finishes opposite
Striking Plate	Finished to match outer forend
Deadbolt	n/a
Latch Bolt	Stainless steel
Follower	Stainless steel, 8mm
Cylinder Type	n/a

Features:

- Modular case range
- Easily reversible stainless steel latch bolt
- Heavy duty lever handle spring
- Available with radiused forend and strike upon request

**Finishes**

- SS - Stainless Steel
- PS - Polished Stainless Steel
- PB - Polished Brass finish
- AB - Antique Brass
- SB - Satin Brass
- ABZ - Antique Bronze

Standards:

- Tested to BS EN 12209 : 2003

3 X 5 1 0 F - B 0 2 0

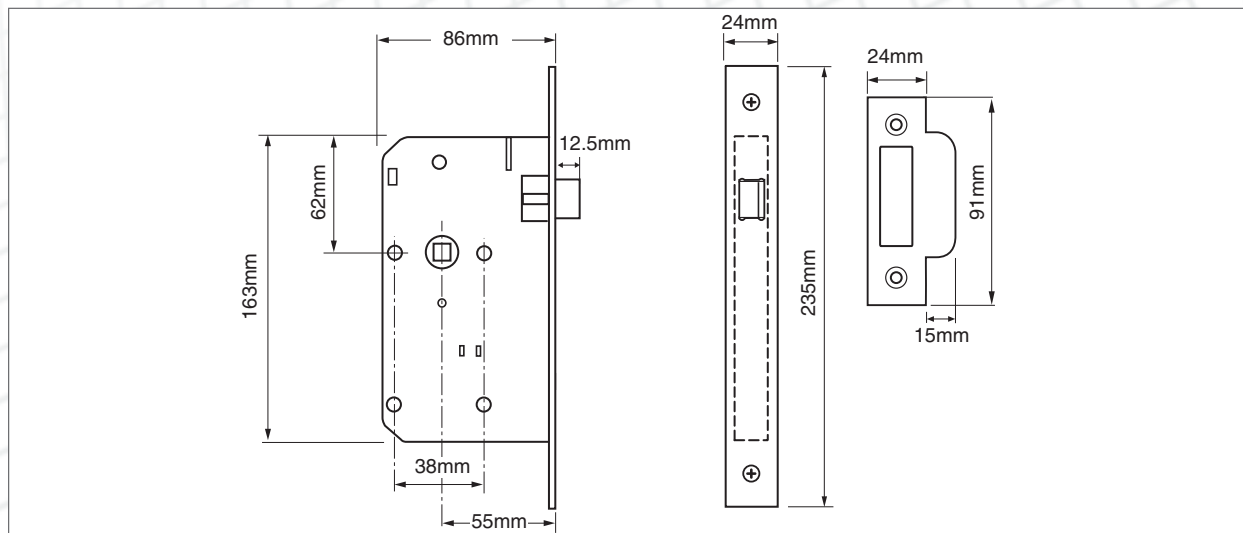


- BS EN 1634 Part 1 : 2000 4 hour fire resistance Warrington Fire Test Certificate No. 145690

Ordering Code Example:

X906PL SS

(Product Code - Finish)



Euro Profile Mortice Deadlock

X906DL

Application:

- For doors hinged on the left or right and requiring key operation only
- 55mm backset

Operation:

- Deadbolt locked or unlocked by cylinder key or cylinder turn
- Double throw deadbolt gives 22mm projection when key or turn is turned twice
- Pierced to accept bolt through furniture and security rose

Specification:

Reference	X906DL
Case Size	86mm
Backset	55mm
Case	Galvanised Zinc
Outer Forend	See finishes opposite
Striking Plate	Finished to match outer forend
Deadbolt	Steel electro plated to SS finish
Latch Bolt	n/a
Follower	Stainless steel, 8mm
Cylinder Type	Euro profile (not supplied)

Features:


- Modular case range
- Available with radiused forend and strike upon request




Finishes:

- SS - Stainless Steel
- PS - Polished Stainless Steel
- PB - Polished Brass finish
- AB - Antique Brass
- SB - Satin Brass
- ABZ - Antique Bronze

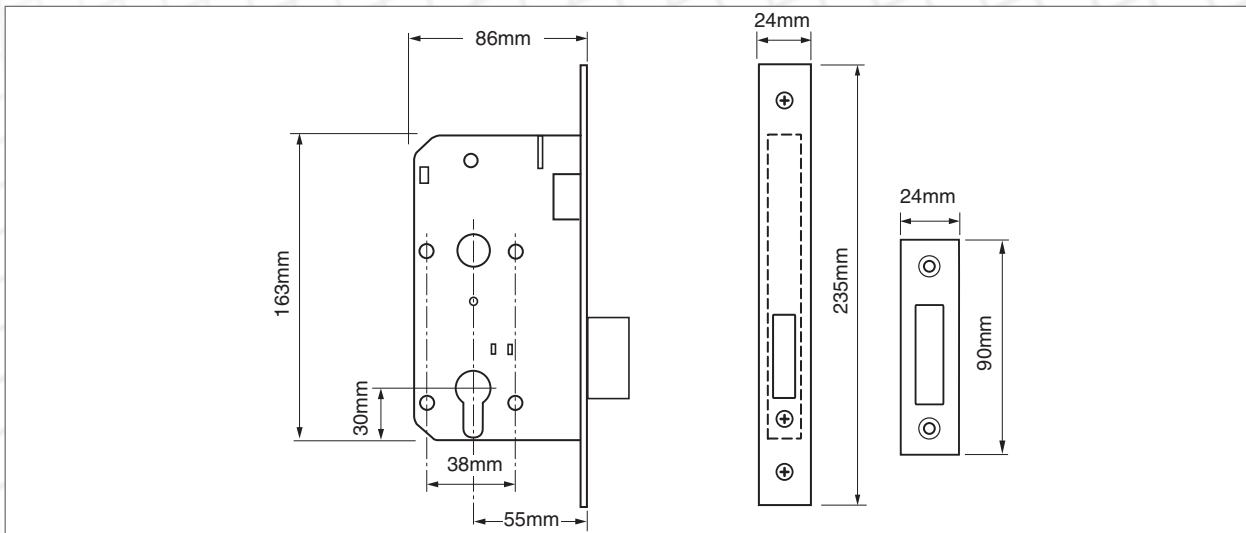
Standards:

- Tested to BS EN 12209 : 2003


3	X	5	1	0	F	3	B	C	0	0
---	---	---	---	---	---	---	---	---	---	---
- BS EN 1634 Part 1 : 2000 4 hour fire resistance Warrington Fire Test Certificate No. 145690


Ordering Code Example:

X906DL SS
(Product Code - Finish)



Euro Profile Mortice Night Latch

X906NL

Application:

- For doors hinged on the left or right and requiring key operation only
- Non-reversible latchbolt, please specify left or right hand
- 55mm backset

Operation:

- European style casing with 72mm centres which accommodates most euro profile cylinders door
- Key operation to withdraw latch
- Pierced to accept bolt through furniture and security rose
- Use with split spindle for high traffic areas

Specification:

Reference	X906NL
Case Size	86mm
Backset	55mm
Case	Galvanised Zinc
Outer Forend	See finishes opposite
Striking Plate	Finished to match outer forend
Deadbolt	n/a
Latch Bolt	Stainless steel, 8mm
Follower	n/a
Cylinder Type	Euro profile (not supplied)

Features:

- Modular case range
- Easily reversible stainless steel latch bolt
- Available with radiused forend and strike upon request

**Finishes:**

- SS - Stainless Steel
- PS - Polished Stainless Steel
- PB - Polished Brass finish
- AB - Antique Brass
- SB - Satin Brass
- ABZ - Antique Bronze

Standards:

- Tested to BS EN 12209 : 2003

3 X 5 1 0 F - B 0 2 0

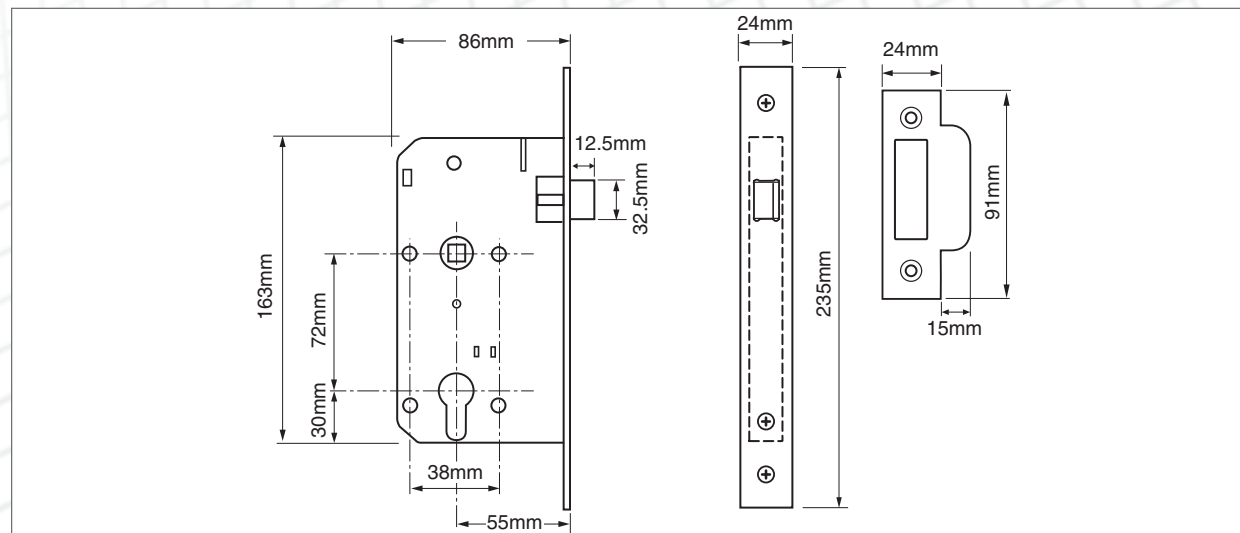


- BS EN 1634 Part 1 : 2000 4 hour fire resistance Warrington Fire Test Certificate No. 145690

Ordering Code Example:

X906NL SS

(Product Code - Finish)



Mortice Bathroom Lock

X906TA/TD

Application:

- For doors hinged on the left or right and requiring turn and emergency release functions
- 55mm backset

Operation:

- European style casing with 78mm centres.
- Single throw deadbolt gives 13.5mm projection when locked or unlocked by separate turn from inside
- Deadbolt unlocked by separate emergency release from outside
- Latchbolt withdrawn by lever handle from either side
- Easily reversible latchbolt
- Available with deadbolt function only (X906TD)
- Pierced to accept bolt through furniture and security rose

Specification:

Reference	X906TA/X906TD
Case Size	86mm
Backset	52mm
Case	Galvanised Zinc
Outer Forend	See finishes opposite
Striking Plate	Finished to match outer forend
Deadbolt	Steel electro plated to SS finish
Latch Bolt	Stainless steel
Follower	Stainless steel, 8mm with 5mm adaptor
Cylinder Type	n/a

Features:

- Modular case range
- Easily reversible stainless steel latch bolt
- Available with radiused forend and strike upon request



Finishes:

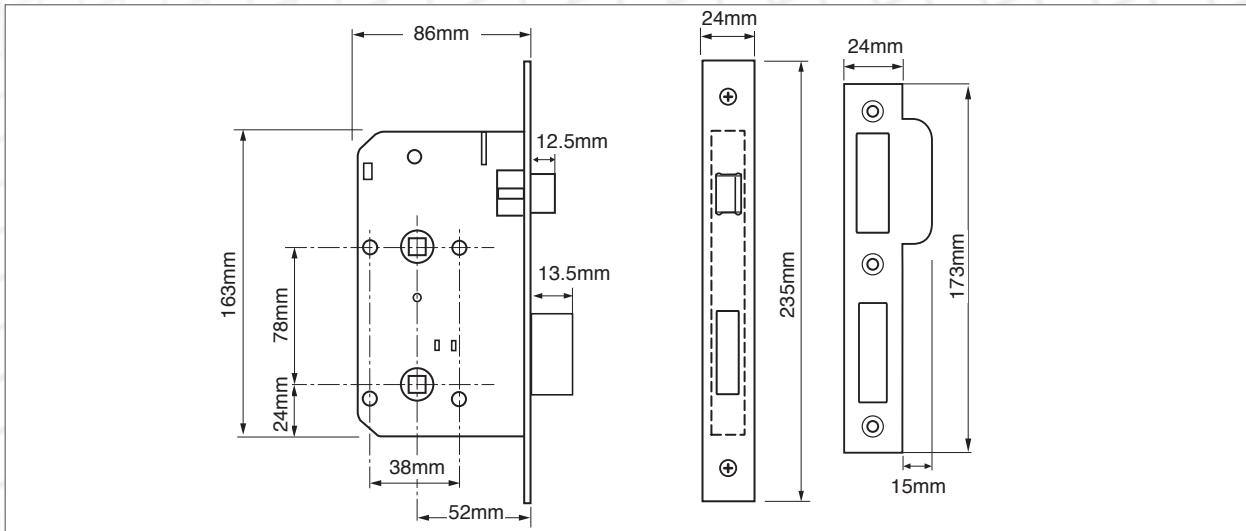
- SS - Stainless Steel
- PS - Polished Stainless Steel
- PB - Polished Brass finish
- AB - Antique Brass
- SB - Satin Brass
- ABZ - Antique Bronze

Standards:



Ordering Code Example:

X906TA SS
(Product Code - Finish)



Mortice Deadlocking Nightlatch

X906AT

Application:

- Non reversible latchbolt, please specify left or right hand
- 55mm backset

Operation:

- European style casing with 72mm centres which accommodates most euro profile cylinders
- Pierced to accept bolt through furniture and security rose
- Anti-thrust bolt - deadlocks latchbolt when door is closed
- Supplied with half spindle

Specification:

Reference	X906AT
Case Size	86mm
Backset	55mm
Case	Galvanised Zinc
Outer Forend	See finishes opposite
Striking Plate	Finished to match outer forend
Deadbolt	n/a
Latch Bolt	Stainless steel
Follower	Stainless steel, 8mm
Cylinder Type	Euro profile (not supplied)

Features:

- Modular case range
- Available with radiused forend and strike upon request



Finishes:

- SS - Stainless Steel
- PS - Polished Stainless Steel
- PB - Polished Brass finish
- AB - Antique Brass
- SB - Satin Brass
- ABZ - Antique Bronze

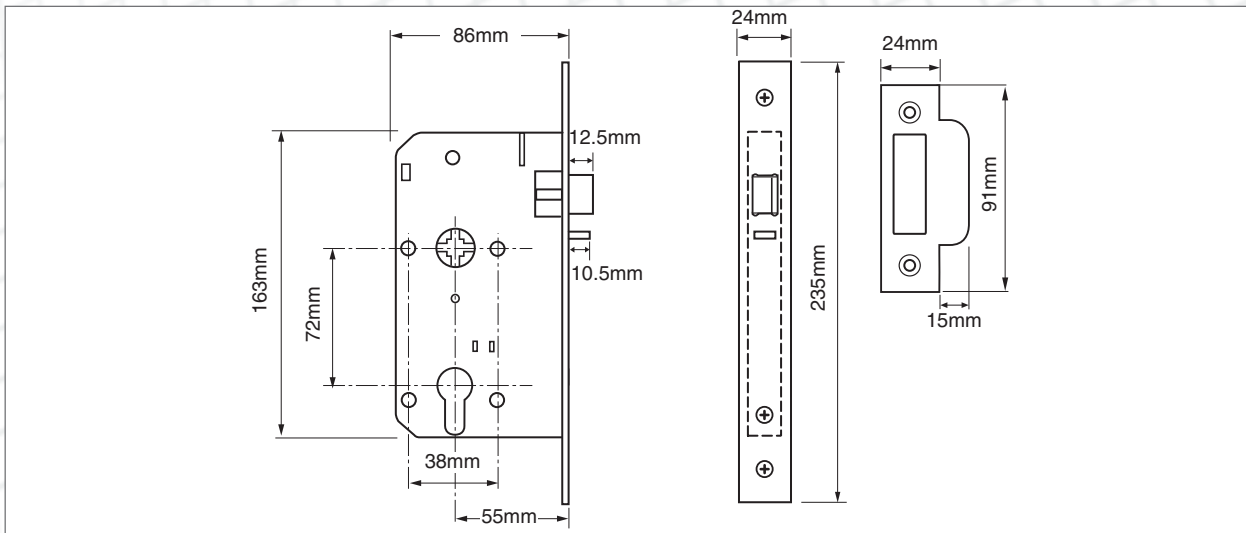
Standards:

- Tested to BS EN 12209 : 2003

3	X	5	1	0	F	2	B	B	2	0
---	---	---	---	---	---	---	---	---	---	---
- BS EN 1634 Part 1 : 2000 4 hour fire resistance Warrington Fire Test Certificate No. 145690

Ordering Code Example:

X906AT SS
 (Product Code - Finish)



Euro Profile Mortice Lock

X985

Application:

- For doors hinged on the left or right and requiring key and lever handle operation
- 45mm backset

Operation:

- European style casing with 85mm centres which accommodates most euro profile cylinders
- Key and handle operation from both sides of the door. Latchbolt operated by key
- Double throw deadbolt gives 20mm projection when key is turned twice
- Easily reversible latchbolt
- Pierced to accept bolt through furniture and security rose
- Available with double euro profile cylinder (64mm) - code: X985C
- Available with bathroom cylinder with emergency release (64mm) - code: X985TE
- Available with turn cylinder with one side key (64mm) - code: X985KT
- Available with lever key adaptor - code: X985LK
- Other cylinder sizes available upon request

Specification:

Reference	X985
Case Size	73mm
Backset	45mm
Case	Steel, black epoxy coat
Outer Forend	See finishes opposite
Striking Plate	Finished to match outer forend
Deadbolt	Brass
Latch Bolt	Brass
Follower	Zinc, 8mm
Cylinder Type	Euro profile (not supplied)
Keying Group	Non masterkeyable

Features:

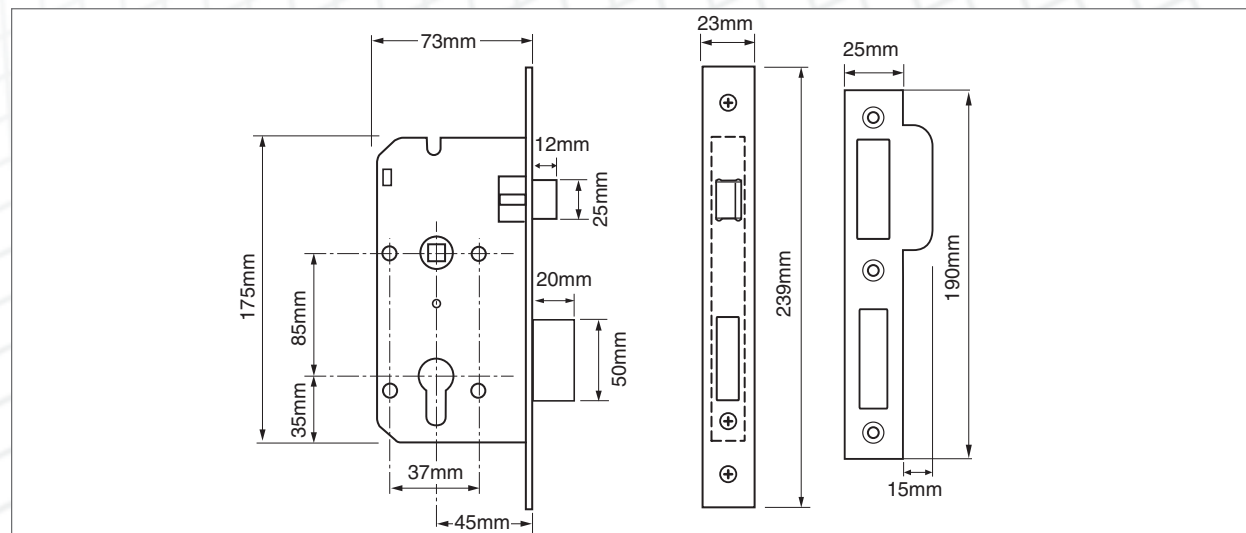
- Available with cylinder or as lockcase only

**Finishes:**

- SS - Stainless Steel
- PS - Polished Stainless Steel
- PB - Polished Brass finish
- AB - Antique Brass
- SB - Satin Brass
- ABZ - Antique Bronze

Standards:**Ordering Code Example:**

X985 SS
(Product Code - Finish)



Euro Profile Mortice Latch

X985PL

Application:

- For doors hinged on the left or right and requiring lever handle operation
- 45mm backset

Operation:

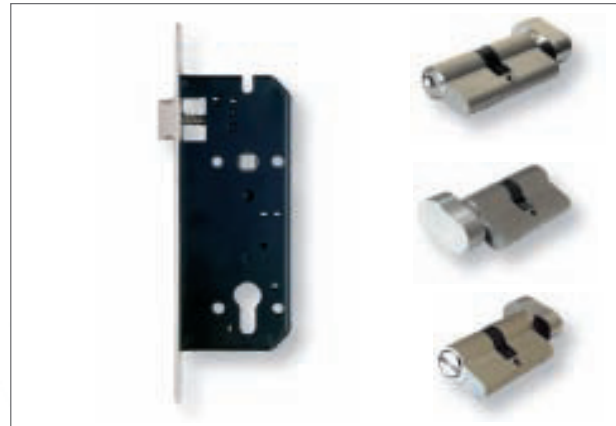
- European style casing with 85mm centres which accommodates most euro profile cylinders
- Key and handle operation from both sides of the door. Latchbolt operated by key
- Easily reversible latchbolt
- Pierced to accept bolt through furniture and security rose
- Available with double euro profile cylinder (64mm) - code: X985C
- Available with bathroom cylinder with emergency release (64mm) - code: X985TE
- Available with turn cylinder with one side key (64mm) - code: X985KT
- Other cylinder sizes available upon request

Specification:

Reference	X985PL
Case Size	73mm
Backset	45mm
Case	Steel, black epoxy coat
Outer Forend	See finishes opposite
Striking Plate	Finished to match outer forend
Latch Bolt	Brass
Follower	Zinc, 8mm
Cylinder Type	Euro profile (not supplied)
Keying Group	Non masterkeyable

Features:

- Available with cylinder or as lockcase only



Finishes:

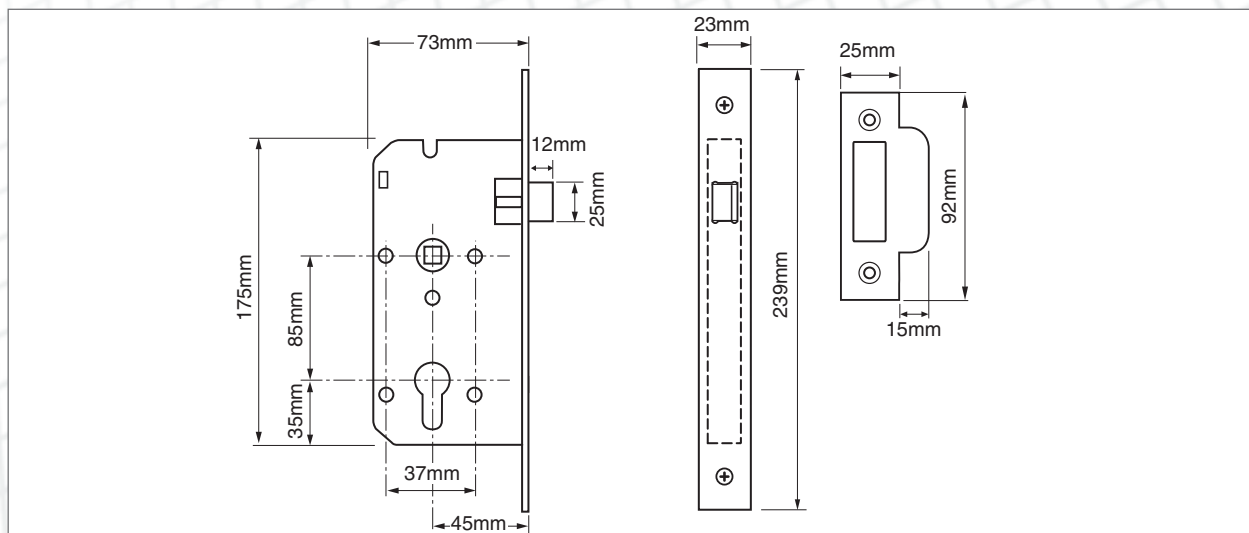
- SS - Stainless Steel
- PS - Polished Stainless Steel
- PB - Polished Brass finish
- AB - Antique Brass
- SB - Satin Brass
- ABZ - Antique Bronze

Standards:



Ordering Code Example:

X985PL SS
(Product Code - Finish)



Euro Profile Mortice Deadlock

X985DL

Application:

- For doors hinged on the left or right and requiring key operation
- 45mm backset

Operation:

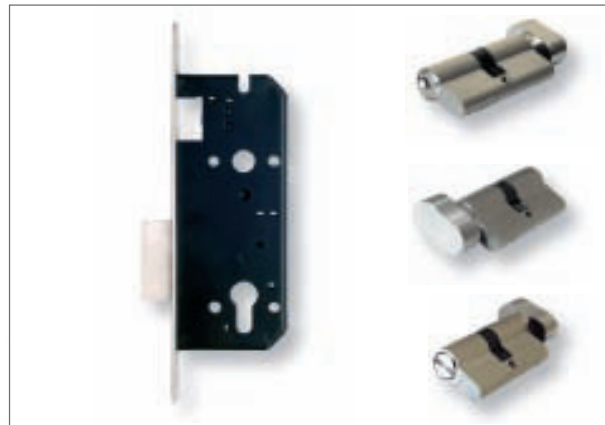
- European style casing with 85mm centres which accommodates most euro profile cylinders
- Key and handle operation from both sides of the door
- Double throw deadbolt gives 20mm projection when key is turned twice
- Pierced to accept bolt through furniture and security rose
- Available with double euro profile cylinder (64mm) - code: X985C
- Available with bathroom cylinder with emergency release (64mm) - code: X985TE
- Available with turn cylinder with one side key (64mm) - code: X985KT
- Other cylinder sizes available upon request

Specification:

Reference	X985DL
Case Size	73mm
Backset	45mm
Case	Steel, black epoxy coat
Outer Forend	See finishes opposite
Striking Plate	Finished to match outer forend
Deadbolt	Brass
Follower	Zinc, 8mm
Cylinder Type	Euro profile (not supplied)
Keying Group	Non masterkeyable

Features:

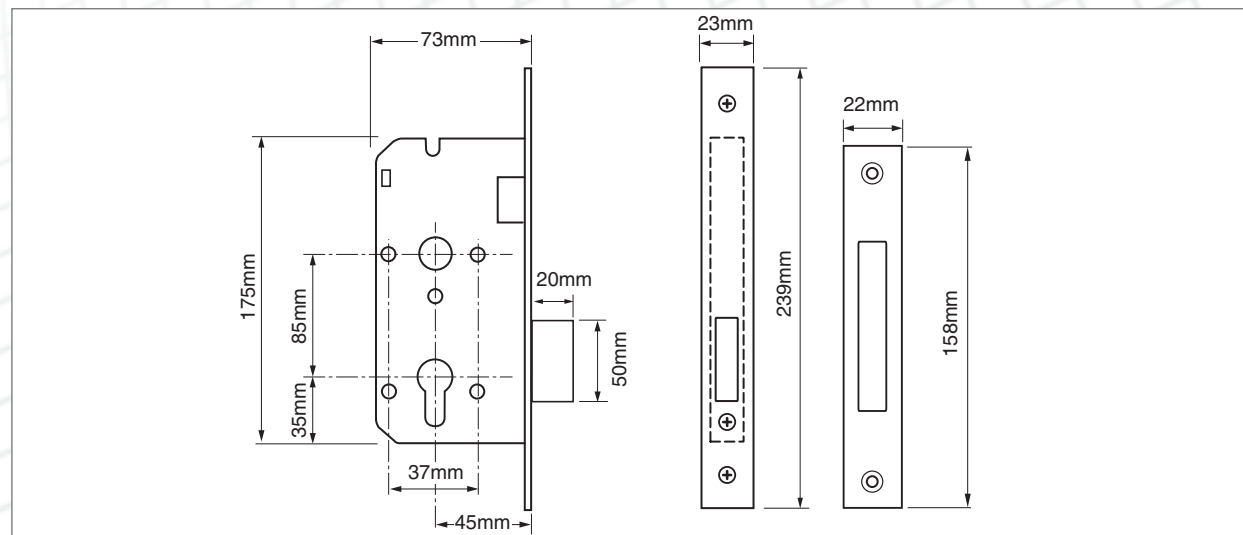
- Available with cylinder or as lockcase only

**Finishes:**

- SS - Stainless Steel
- PS - Polished Stainless Steel
- PB - Polished Brass finish
- AB - Antique Brass
- SB - Satin Brass
- ABZ - Antique Bronze

Standards:**Ordering Code Example:**

X985DL SS
(Product Code - Finish)



Security Bolt Mortice Lock

U8912

Application:

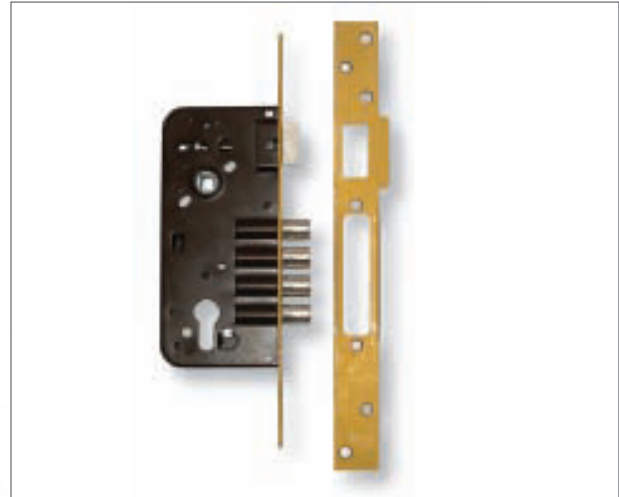
- For doors hinged on the left or right requiring lever handle operation only
- 50mm backset

Operation:

- European style casing with 85mm centres which accommodates most euro profile cylinders
- Key and handle operation from both sides of the door
- Latchbolt operated by key
- Double throw deadbolt gives 20mm projection when key is turned twice
- Pierced to accept bolt through furniture

Specification:

Reference	U8912
Case Size	80mm
Backset	50mm
Case	Galvanised steel, powder coat
Outer Forend	Steel enamel finish
Striking Plate	Steel enamel finish
Deadbolt	Hardened steel
Latch Bolt	Zamac, chrome plated
Follower	Zinc, 8mm
Cylinder Type	Euro profile (not supplied)
Keying Group	Masterkeyable



Finishes:

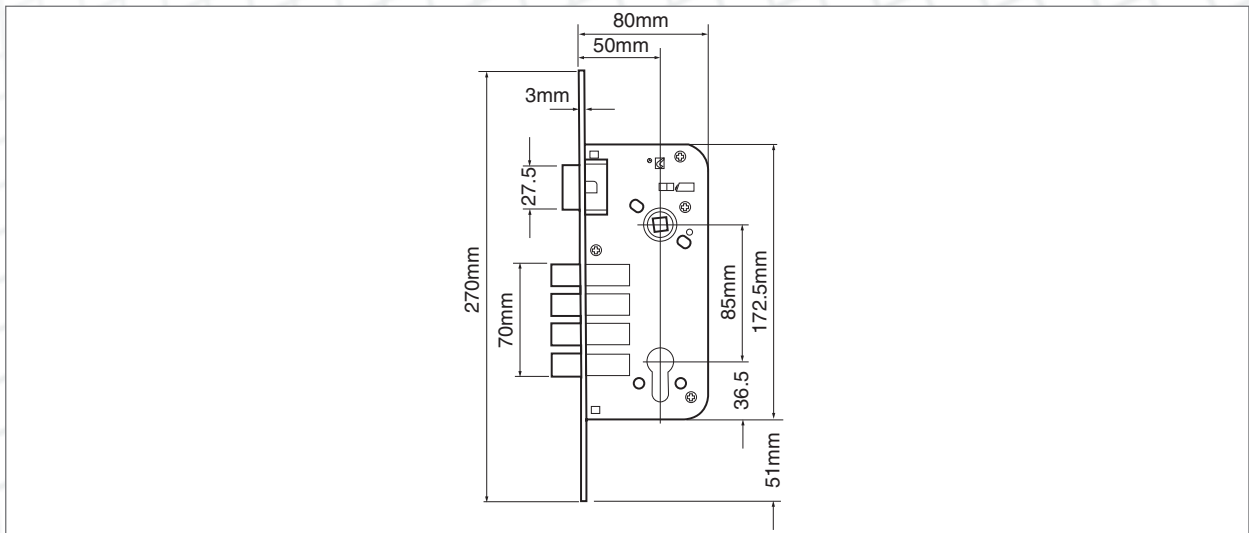
- PB - Brass
- PN - Polished Nickel
- MN - Matt Nickel

Standards:



Ordering Code Example:

U8912 PB
(Product Code - Finish)



Security Bolt Deadlock

U8913

Application:

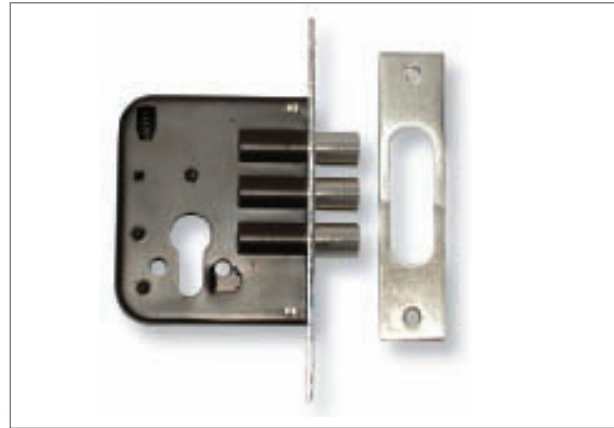
- For doors hinged on the left or right and requiring key operation
- 50mm backset

Operation:

- Lockcase accommodates most euro profile cylinders
- Key operation from both sides of the door
- Double throw of deadbolt gives 20mm projection when key is turned twice
- Pierced to accept bolt through furniture and security rose

Specification:

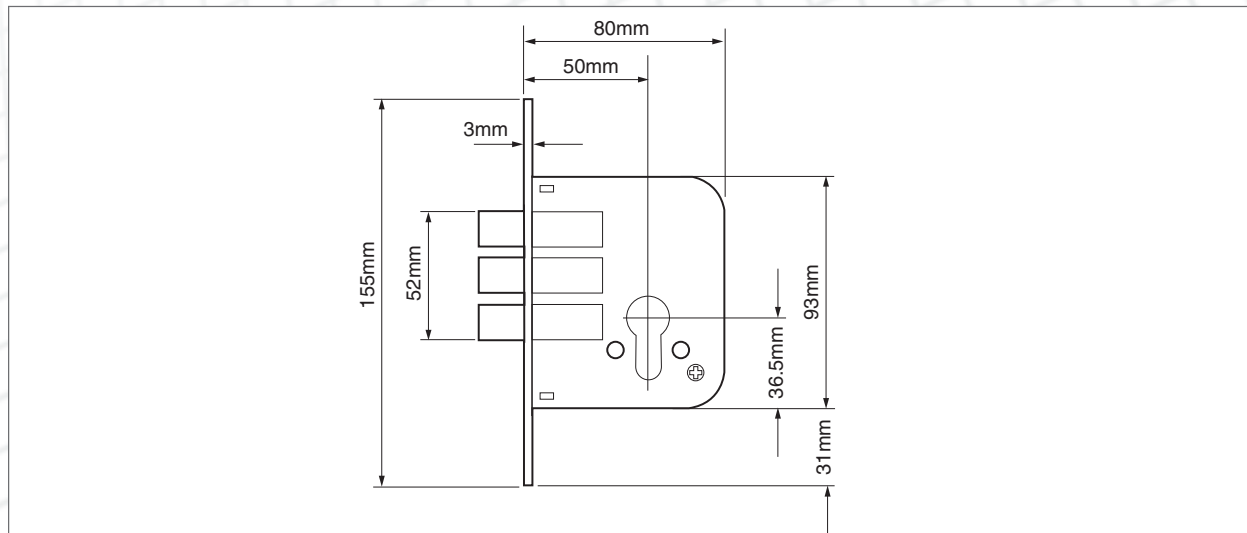
Reference	U8913
Case Size	88mm
Backset	50mm
Case	Galvanised steel, powder coated
Outer Forend	Steel enamel finish
Striking Plate	Steel enamel finish
Deadbolt	Hardened steel
Latch Bolt	n/a
Follower	n/a
Cylinder Type	Euro profile (not supplied)
Keying Group	Masterkeyable

**Finishes:**

- PB - Brass
- PN - Polished Nickel
- MN - Matt Nickel

Standards:**Ordering Code Example:**

U8913 PB
(Product Code - Finish)



Multi Point Lock

U8920/U8922/U8923

Application:

- For doors hinged on the left or right and requiring key and lever operation
- 50mm backset

Operation:

- European style casing with 85mm centres which accommodates most euro profile cylinders
- Key and handle operation from both sides of the door
- Double throw deadbolt gives 20mm projection when key is turned twice
- Pierced to accept bolt through furniture

Specification:

Reference	U8920 U8922 U8923
Case Size	80mm
Backset	50mm
Case	Galvanised steel, powder coated
Outer Forend	Steel enamel finish
Striking Plate	Steel enamel finish
Deadbolt	Hardened steel
Latch Bolt	Zamac, chrome plated
Follower	Zinc, 8mm
Cylinder Type	Euro profile (not supplied)
Keying Group	Masterkeyable

Features:

- Supplied with fixing screws
- Forend can be cut to match door height



Finishes:

- PB - Brass
- NP - Nickel Plated

Standards:



Ordering Code Example:

U8920 NP
(Product Code - Finish)

Narrow Style Aluminium Door Lock

X920/X925/X930
XR920/XR925/XR930**Application:**

- For doors hinged on the left or right and requiring key and lever operation, or key only
- Choice of three different backsets - 20mm, 25mm or 30mm

Operation:

- European style casing with 85mm centres which accommodates most euro profile cylinders
- Deadbolt latch variants are key and handle operation, option of key both sides (suffix C to product code) or key from one side, turn from other (suffix KT to product code)
- Roller latch variants (XR920, XR925 & XR930) are key operation only, option of key both sides (suffix C to product code) or key from one side, turn from the other (suffix KT to product code)
- Cylinder lengths available are 64mm and 74mm

Specification:

Reference	X920/X925/X930 - deadlatch XR920/XR925/XR930 - roller latch
Case Size	40.5mm/45.5mm/50.5mm
Backset	25mm/30mm/35mm
Case	Steel, black powder coat
Outer Forend	See finishes opposite
Striking Plate	Finished to match outer forend
Deadbolt	Zinc alloy
Latch Bolt	Zinc Alloy
Roller Latch	Brass
Follower	Zinc, 8mm
Cylinder Type	Euro profile (not supplied)
Keying Group	Masterkeyable (when cylinders supplied separately)

Features:

- Easily reversible stainless steel latch bolt and escape

**Finishes:**

- SS - Stainless Steel
- PS - Polished Stainless Steel
- PB - Polished Brass finish
- AB - Antique Brass

Standards:**Ordering Code Example:**

X920 SS
(Product Code - Finish)

